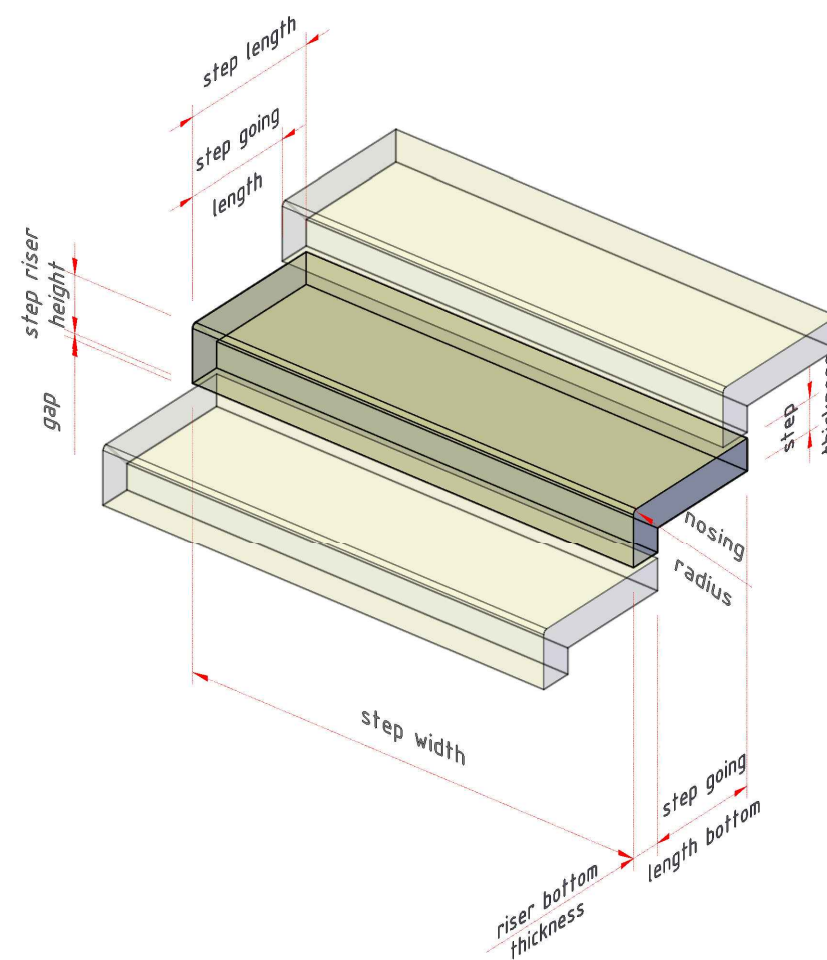
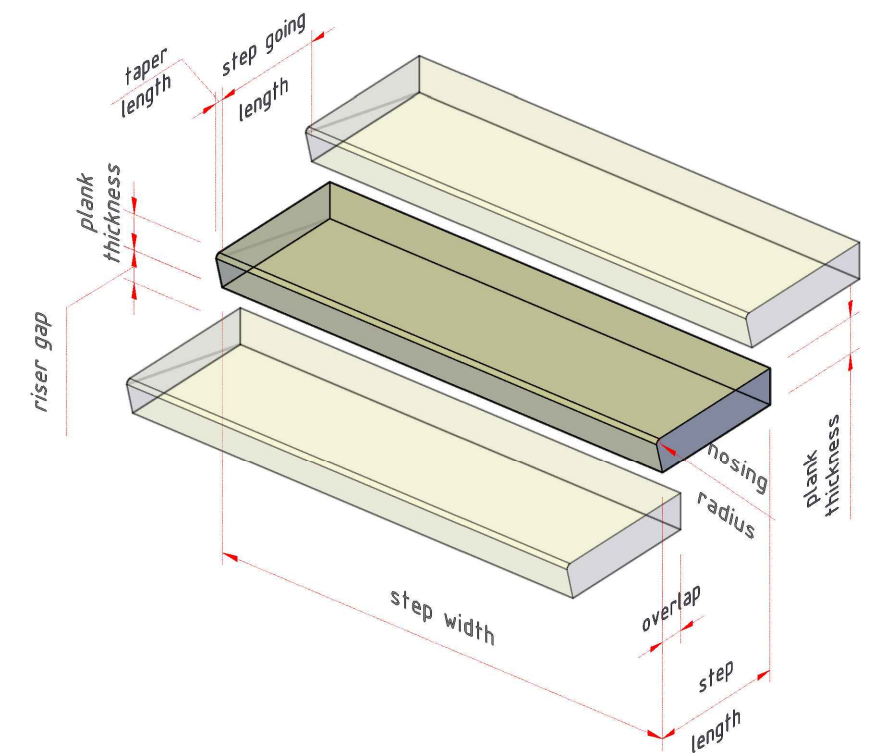


N TREAD -01	
Step Width	900-1580 mm
Step Riser Height	150-180 mm
Riser Taper Depth	20 mm
Step Length	365-400 mm
Step Going Length	285-300 mm
Step Going Length Bottom	365-400 mm
Step Thickness	80-100 mm
Riser Bottom Thickness	80-100 mm
Nosing Radius	0-10 mm
Gap	10-20 mm



N TREAD -02	
Step Width	900-1580 mm
Step Riser Height	150mm
Step Length	365-400 mm
Step Going Length	285-300 mm
Step Going Length Bottom	365-400 mm
Step Thickness	80-100 mm
Riser Bottom Thickness	80-100 mm
Nosing Radius	0-10 mm
Gap	10-20 mm



N TREAD -03	
Step Width	900-1580 mm
Riser Gap	50-70 mm
Riser Taper Depth	20 mm
Step Length	285-380 mm
Step Going Length	285-300 mm
Plank Thickness	80-100 mm
Nosing Radius	0-10 mm
Overlap	0-80 mm

©THIS DRAWING IS COPYRIGHT AND CAN'T BE REPRODUCED WITHOUT PERMISSION OF NAUHRIA PRECAST LTD.

Nauhria Precast Limited
 39 Hobill Avenue, Manukau
 PO Box 62 120, Mt. Wellington
 Auckland, New Zealand
 Ph: 00-64-9-262-1065
 Fax: 00-64-9-262-0271
 www.nauhria.co.nz

